



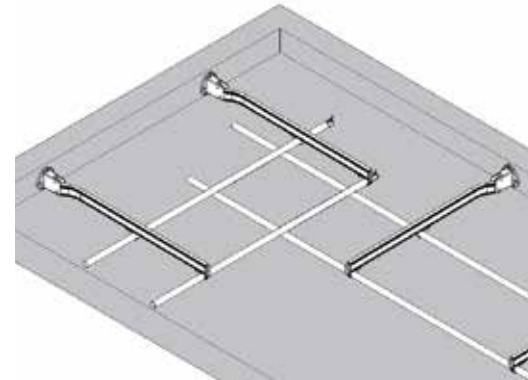
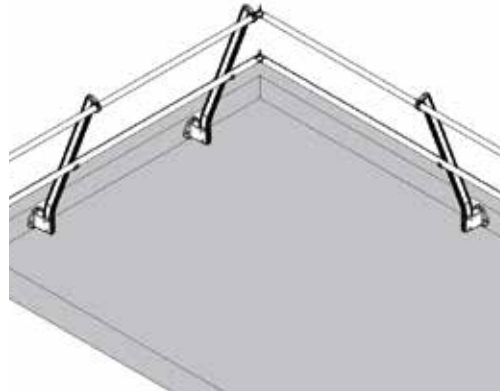
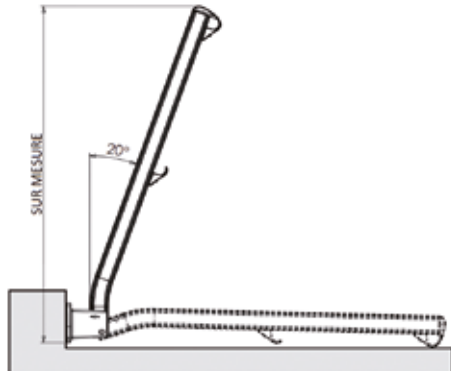
CAN BE FOLDED BY ONE SINGLE PERSON



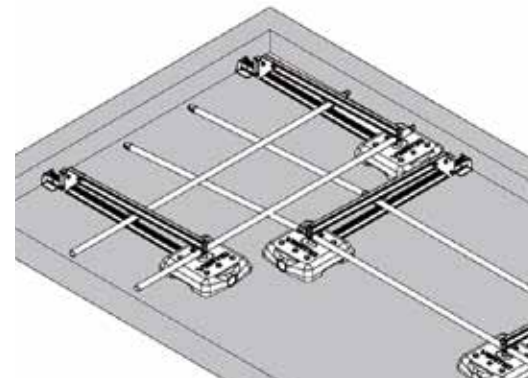
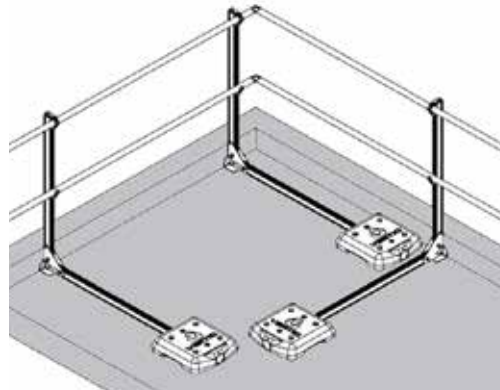
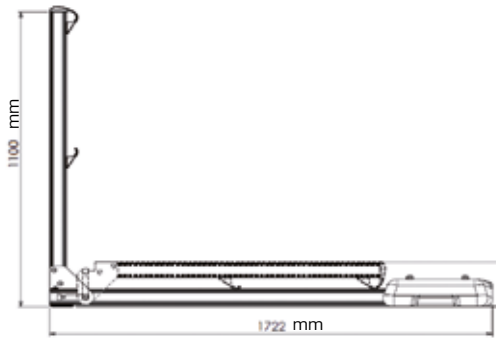
FOLDING ALILISSE



FOLDING STRAIGHT OR BENT GUARDRAIL AGAINST PARAPET



FREE STANDING STRAIGHT OR CURVED GUARDRAIL



COMPONENTS ALILISSE®

Top and middle rail

AL-LISSE



AL-EAR



Articulated corner coupling

Allows making corners from 70° to 180°. Easily adjustable on site. Includes a captive winged screw.

Folding unit: Straight, with counterweight

AL-A.ELDR



AL-A.SLDR



Straight folding assembly unit

The plate as a significant 70mm offset to make it compatible with the existing parapet cover.

The plate is fixed with M10 fixings (not included).

Folding unit: Bent, with counterweight

AL-A.ELCR



AL-A.SLCR



Bent folding assembly unit

The plate as a significant 70mm offset to make it compatible with the existing parapet cover.

The plate is fixed with M10 fixings (not included).

In 36mm extruded aluminium. Supplied in 3m length, reduced at one end.

Concrete counter-weight. Front bumper made of galvanised steel with EPDM protection.

A single tool (n°10) is used for tightening the counterweight and the clamps.

Concrete counter-weight. Front bumper made of galvanised steel with EPDM protection.

A single tool (n°10) is used for tightening the counterweight and the clamps.