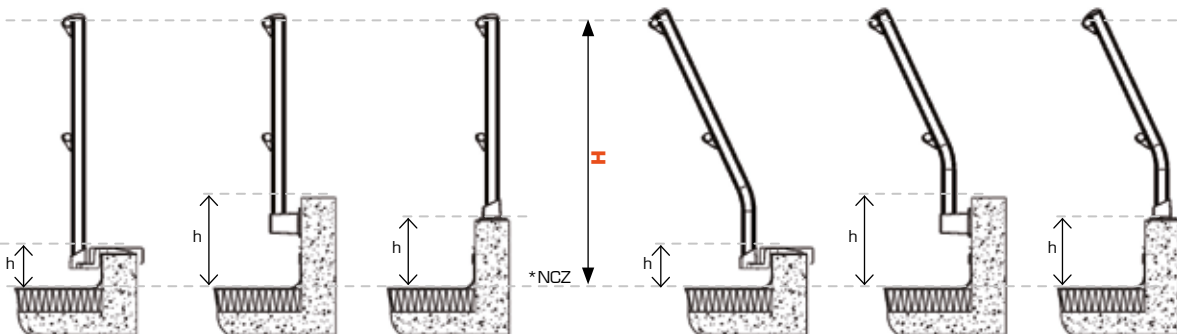




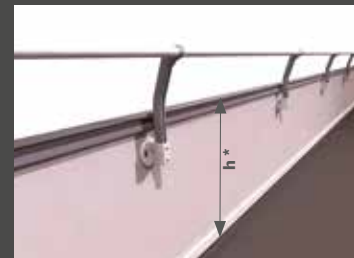
Different choice of upright according to the type of mounting plate and the height of the parapet



1000 < **H** < 1100 mm (NF E85-015)
H > 1100 mm (EN ISO 14122-3)

*NCZ : Normal circulation zone
(if there is some gravel, take the measurements above the gravel)

Parapet collar



Can be used in the case where a building has a peripheral parapet with a height of up to $h^* =$

50cm for roofs
60cm for machines

ALTISSSE ON PARAPET



ADJUSTABLE FIXING SYSTEM OF THE RAILS

The top and middle rails are maintained by a **patented clamping mechanism**.

Possible adjustment of the middle rail on the upright to standardize the intervals depending the height of the parapet.



INTERFACE FOR ISOLATED PARAPET

The RT2012 Thermal Regulation usually requires isolating the parapets. According to these requirements, a specific plate allows fixing the guardrail up to an insulating inner layer of 130mm.

Complying with the Professional recommendations of the CFSE (French Waterproofing Committee).

COMPONENTS ALTISSSE®

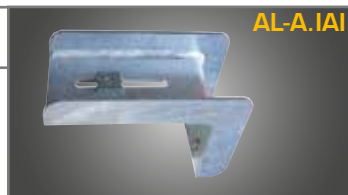
Extruded aluminium upright

Delivered with the fixing kit for top and middle rail pre-assembled. Allows the adjustment of the height of the middle rail on site.



Interface for isolated parapet

Reinforced bracket, made of galvanized steel, to be used with the side fixing plate.



Side mounting plate

Used when installing a guardrail against the parapet. Has a significant 70mm offset to make it compatible with the existing parapet cover.



Vertical mounting plate

Used when installing a handrail on the parapet. Can be mounted on a metallic or concrete support. Possible adjustment of the verticality.



Offset mounting plate

Installation on a concrete or metallic parapet, with 2 fixings M10 or 1 fixing M12 (not supplied). Possible adjustment of the verticality.



AL-LISSE



Top and middle rail

In 36mm extruded aluminium. Supplied in 3m length, reduced at one end.

AL-EAA



Articulated corner coupling

Allows making corners from 70° to 180°. Easily adjustable on site. Diametre and material are identical to the rail for an aesthetic continuity.

AL-ANG90



Bent corner

Can be fitted into the rails to ensure an aesthetic continuity. Easy installation.

AL-PAL



Aluminium plinth

The railing must be fixed with a plinth if the parapet measures less than 100mm (roofs) or 150mm (machines) in relation to the circulation area. End plugs and corners available.

AL-EXTM



Wall-mounting part

Enables the mounting of rails on any wall. Fixed directly on the wall with 2 fixings diameter 10mm maxi (not included).