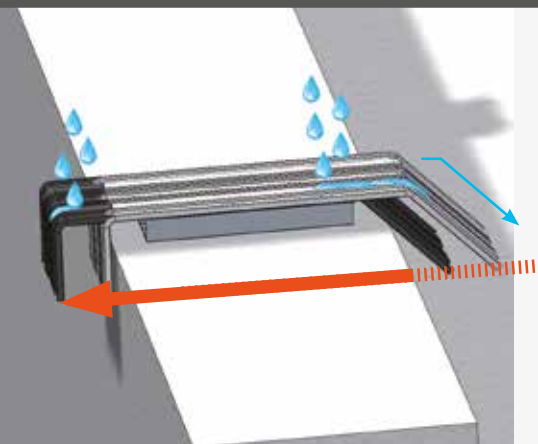




PRODUCT ADVANTAGES

- ▲ System made of aluminium or lacquered steel
- ▲ Protection of the parapet against the infiltrations
- ▲ Invisible fixing
- ▲ Sliding and draining splice bar system

▲ ADJUSTABLE DRAINING SPLICE BAR



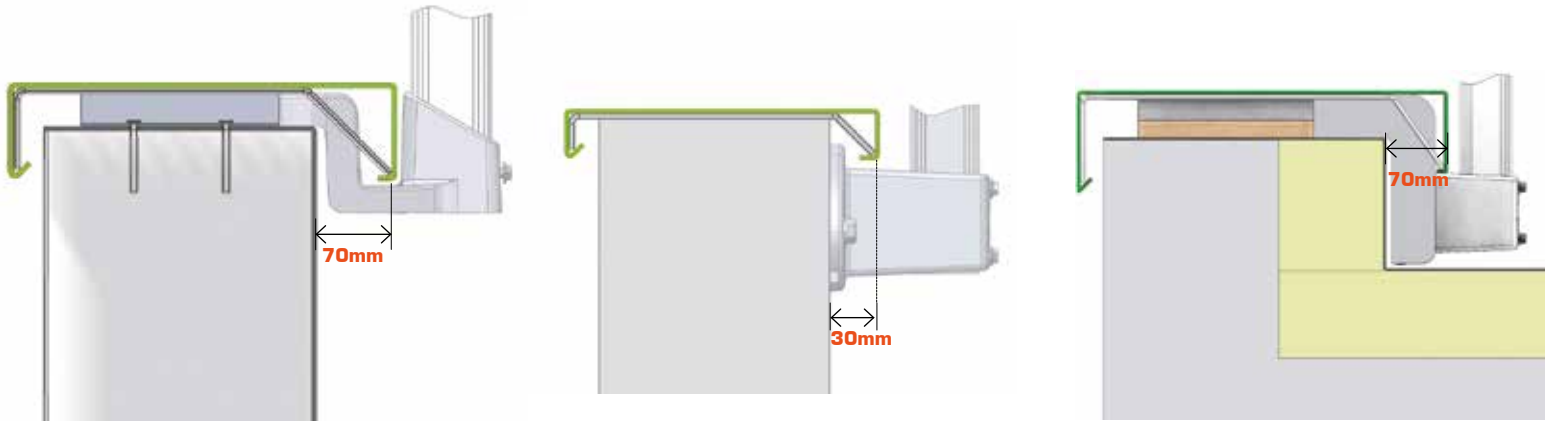
The splice bar, clipped on its support, can be adjusted to line up the parapet cover.



Wind test report CSTB
EN-CAPE 10.181C-V0

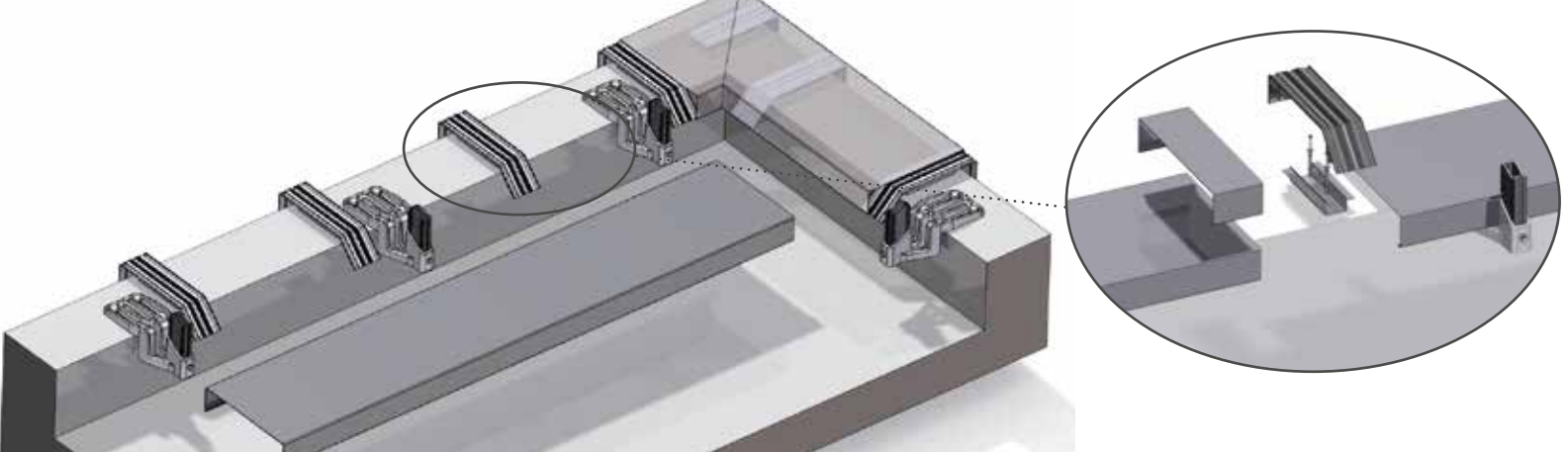
PARAPET COVERS

▲ DIMENSIONS *PARAPET COVER*

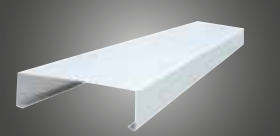
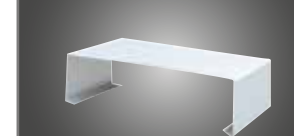
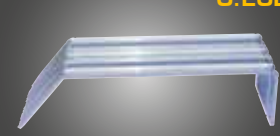

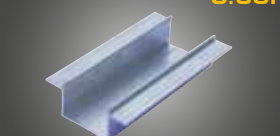





The cover will be tailormade, depending of the inside and outside finish of the parapets (isolation, waterproofing, coating, ...)

▲ Combination of parapet covers with the ALTILISSE guardrail on offset plate: clipping the draining splice bar on adjustable 30mm leveling pad



COMPONENTS *PARAPET COVERS*

<p>Parapet cover</p> <p>Tailor-made in aluminium or lacquered steel.</p>	<p>C.COUV</p> 	<p>C.CJOINT</p> 	<p>Covering sleeve</p> <p>Ensures a perfect finish to cover and hide the junctions.</p>
<p>Draining splice bar</p> <p>Clipped on the splice bar support, or fixed on the parapet. Draining, it guides the water out.</p>	<p>C.ECL</p> 	<p>801009</p> 	<p>Fixing</p> <p>HPS 6/30*55 Sold by 100 units.</p>
<p>Splice bar support</p> <p>Fixed on the parapet. Allows clipping the splice bar, for a perfect alignment of the parapet cover.</p>	<p>C.SUP</p> 	<p>C.KRE</p> 	<p>Waterproof rivet</p> <p>Kit of 25 aluminium waterproof rivets. RAL 9006</p>
<p>Adjustable corner</p> <p>Pre-cut in factory to make easier the installation on site.</p>	<p>C.ANGR / C.ANGS</p> 	<p>C.KVE</p> 	<p>Waterproof self-drilling screw</p> <p>Kit of 25 aluminium waterproof self-drilling screws. RAL 9006</p>