



STANDARD FIXING ON STRUCTURE

Metallic / Wood / Concrete



Removable Flange

Standard height: 500mm

PST1 / PSTINX1

ACIER

INOX



Removable Flange

Standard height: 500mm

PST-C

ACIER



BBC

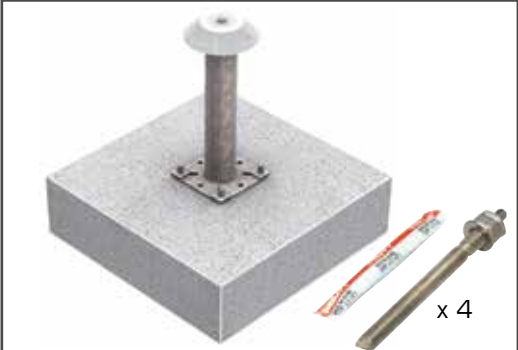
To meet the requirements of the **RT2012 (ISO 10211)** this post is isolated along its entire height. **Incombustible A1 and rotproof.**

Standard height: 500mm

PST-IS

ACIER

POSSIBLE FIXINGS



ANCRCM12: for flagstone (140mm thick mini)


On concrete flagstone

x 4



KC1 : L < 145mm
KC2 : 145 mm < L < 250mm

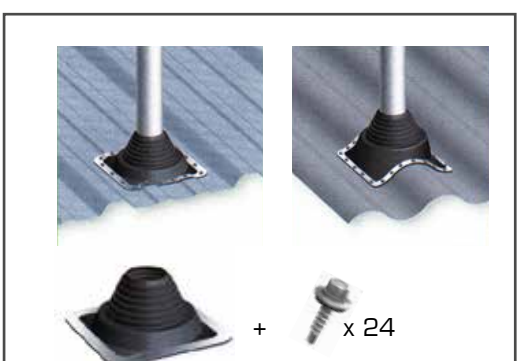
Clip on metallic beam



KB1 : L < 145mm
KB2 : 145 mm < L < 250mm

Clamp on structure

SLEEVES AND CONNECTIONS FOR WATERPROOFING PST1 AND PST-IS



CHPIPEC4EC

EPDM soft connection Kit

x 24



KEFP-TUIL

Lead sleeve

For tile roof



FPVC1

PVC sleeve

For PVS waterproofing



FALU1

Aluminium sleeve

For bitumen membrane

ANCHOR POINTS AND INTERFACES (SUPPORTS/LIFELINE END PIECES)




T part

INOX



PEX.AFX Anchor ring

CUPRO



AN.P Anchor plate

INOX



PLFIX Anchor plate

ALU